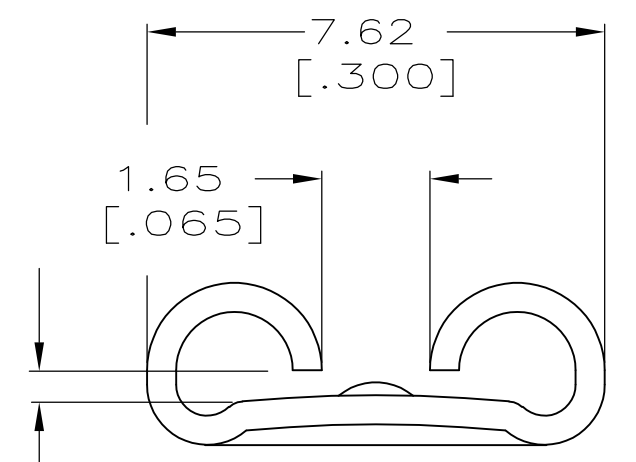
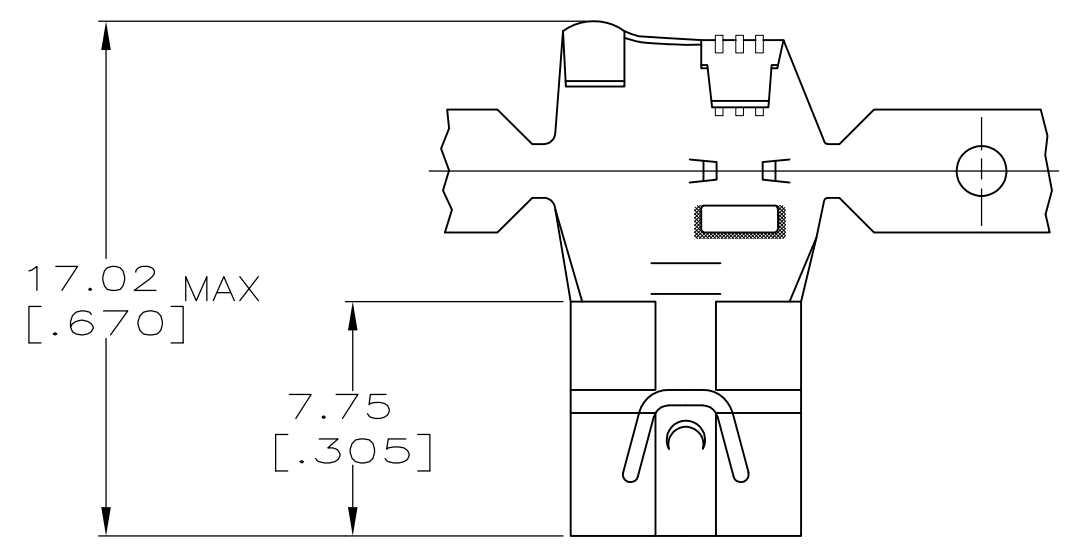
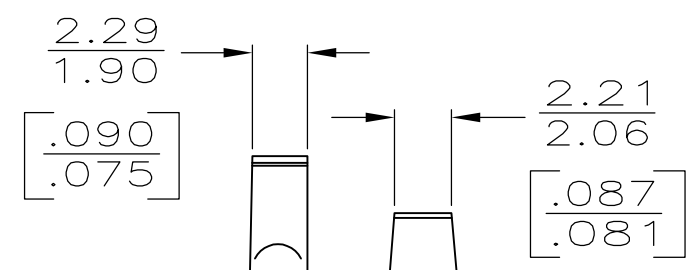


THIS DRAWING IS UNPUBLISHED. RELEASED FOR PUBLICATION
 © COPYRIGHT - By - ALL RIGHTS RESERVED.

LOC	DIST	REVISIONS					
AF	50	P	LTR	DESCRIPTION	DATE	DWN	APVD
		E		REVISED PER ECR-12-013518	23NOV2012	KH	PD

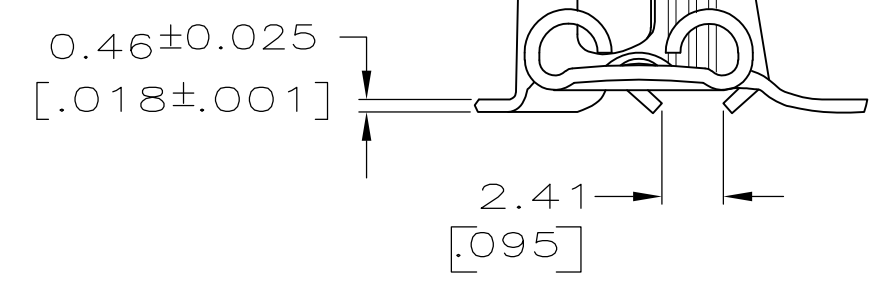


1 CONTINUOUS STRIP ON REELS.



FITS 6.35 [.250] SERIES FASTON TAB

VIEW A-A
SCALE 8:1



TIN	2.79-5.33	0.8mm ² - 3.0mm ²	0.81	63555-2
	[.110-.210]	18-12 AWG	[.032]	63555-1
FINISH	INSULATION RANGE	WIRE SIZE	MATING TAB THK ±	PART NO
			0.025 ± [.001]	

THIS DRAWING IS A CONTROLLED DOCUMENT.		DWN P FORTNEY 11/9/89	STE TE Connectivity		
		CHK JR RUTH 11/9/89			
DIMENSIONS: mm [INCHES]	TOLERANCES UNLESS OTHERWISE SPECIFIED:	APVD C MYERS 11/9/89	NAME		
	0 PLC ± -	PRODUCT SPEC R KUZO 11/9/89	RECEPTACLE, FASTON,™		
	1 PLC ± -	APPLICATION SPEC	FLAG, 6.35 [.250] SERIES		
	2 PLC ± -		SIZE	CAGE CODE	DRAWING NO
	3 PLC ± 0.25 [.010]		A3	00779	C-63555
	4 PLC ± -		RESTRICTED TO		
	ANGLES ± -				
MATERIAL	FINISH	WEIGHT	SCALE		
BRASS	SEE TABLE	-	4:1		
CUSTOMER DRAWING			SHEET	REV	
			1 OF 1	E	